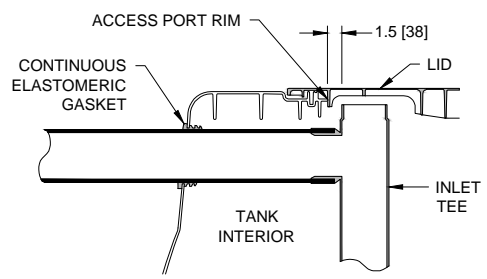
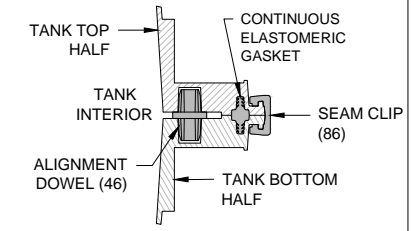


TOP VIEW



PIPE PENETRATION SECTION DETAIL

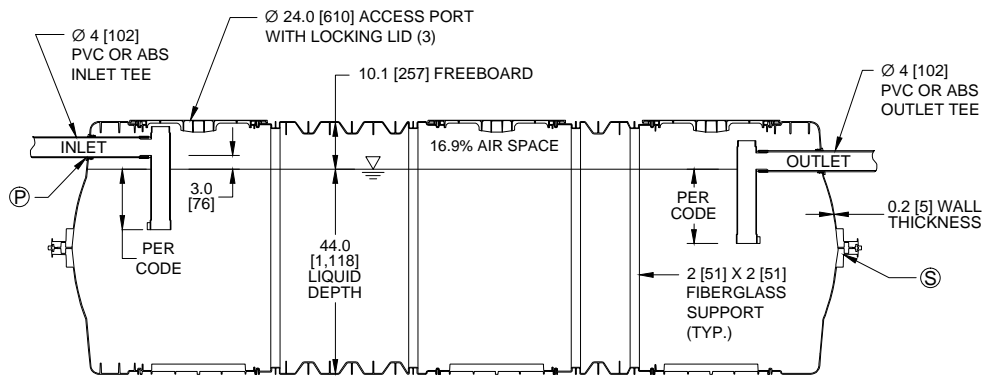


MID-HEIGHT SEAM SECTION DETAIL

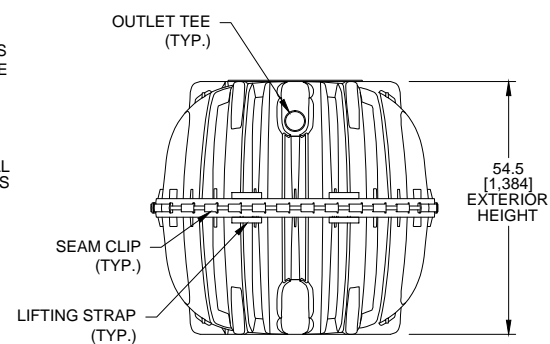
TANK EXTERIOR	
LENGTH	175.6 [4,460]
WIDTH	61.7 [1,567]
HEIGHT	54.5 [1,384]

LIQUID DEPTH	44.0 [1,118]
INVERT DROP	3.0 [76]
FREEBOARD	10.1 [257]

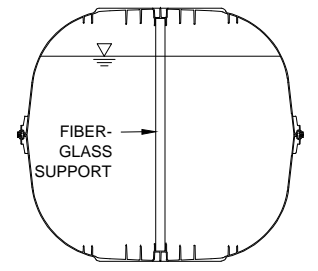
TOTAL CAPACITY	1,765 GAL [6,681 L]
WORKING VOLUME	1,509 GAL [5,712 L]



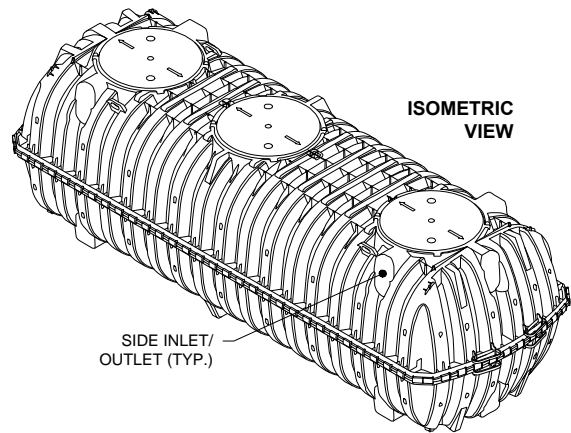
SECTION A - A'



END VIEW



SECTION B - B'



ISOMETRIC VIEW

NOTES:

- ALL DRAWING DIMENSIONS IN INCHES [MILLIMETERS] OR AS NOTED.
- EXTERIOR OF ACCESS OPENING LID INCLUDES THE FOLLOWING WARNING IN ENGLISH, FRENCH & SPANISH: "DANGER DO NOT ENTER: POISON GASES."
- TANK MARKINGS WILL INCLUDE: MANUFACTURER NAME, MODEL NUMBER, LIQUID CAPACITY, DATE OF MANUFACTURE, MAXIMUM BURIAL DEPTH, INLET, AND OUTLET.
- MAXIMUM BURIAL DEPTH IS 48 in [1,219 mm].
- MINIMUM BURIAL DEPTH IS 6 in [152 mm].
- TANK IS FOR NON-TRAFFIC APPLICATIONS.
- AIRSPACE IS 16.9%.
- OUTLET TEE IS COMPATIBLE WITH AN EFFLUENT FILTER.
- LENGTH TO WIDTH RATIO IS 2.8:1 (175.6-INCH LENGTH / 61.7-INCH WIDTH = 2.8).

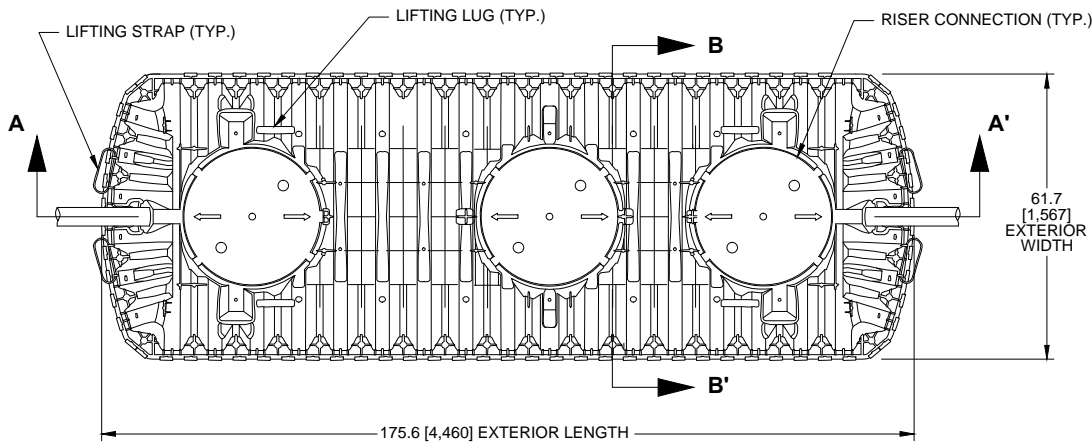


INFILTRATOR SYSTEMS INC.  
4 Business Park Rd. Old Saybrook, CT 06475  
(800) 221-4436

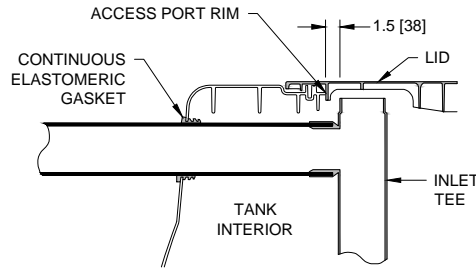
IM-1530  
1-Compartment Septic/Pump Tank Configuration

Drawn by: JLB	Date: 10/09/2013
Scale: NOT TO SCALE	Checked by: DJL
	Sheet: 1 of 1

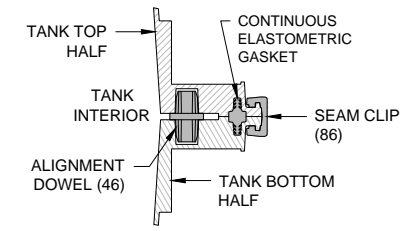
Q:\Technical Resources\New\02-SI\_Products\Tanks\Injection-Molded Tank\IM-1530\_GENERIC\_1 AND 2 COMPARTMENT\_10092013



TOP VIEW



PIPE PENETRATION SECTION DETAIL

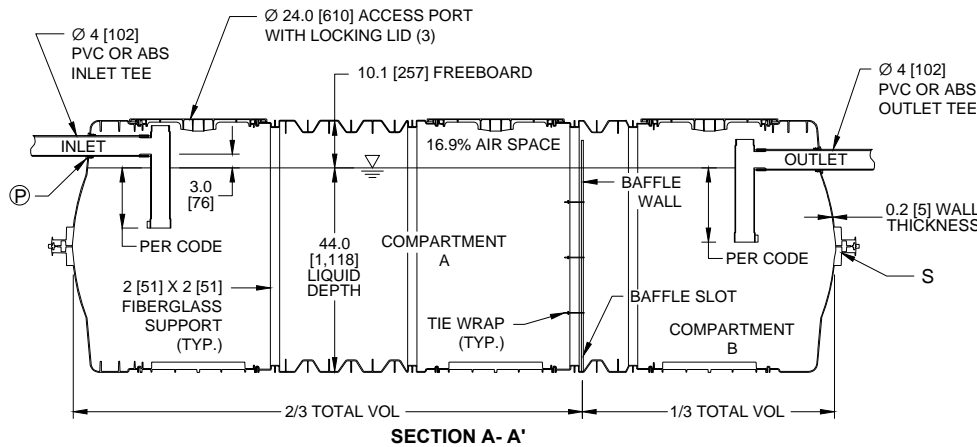


MID-HEIGHT SEAM SECTION DETAIL

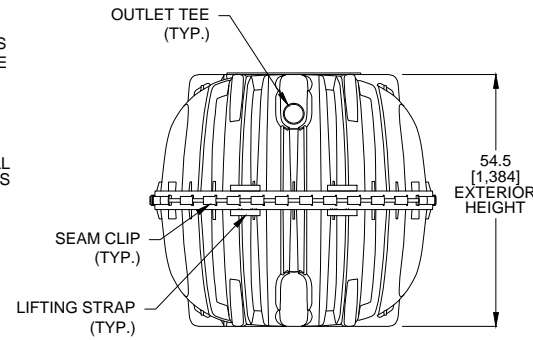
TANK EXTERIOR	
LENGTH	175.6 [4,460]
WIDTH	61.7 [1,567]
HEIGHT	54.5 [1,384]

LIQUID DEPTH	44.0 [1,118]
INVERT DROP	3.0 [76]
FREEBOARD	10.1 [257]

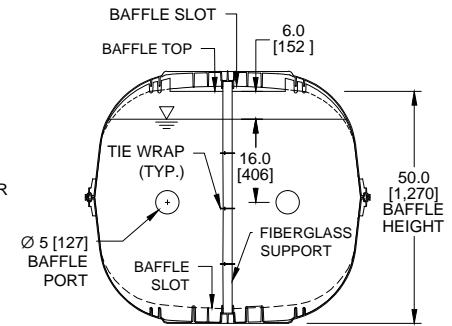
TOTAL CAPACITY	1,765 GAL [6,681 L]
WORKING VOLUME	1,509 GAL [5,712 L]
COMPARTMENT A VOL.	1,006 GAL [3,808 L]
COMPARTMENT B VOL.	503 GAL [1,904 L]



SECTION A - A'



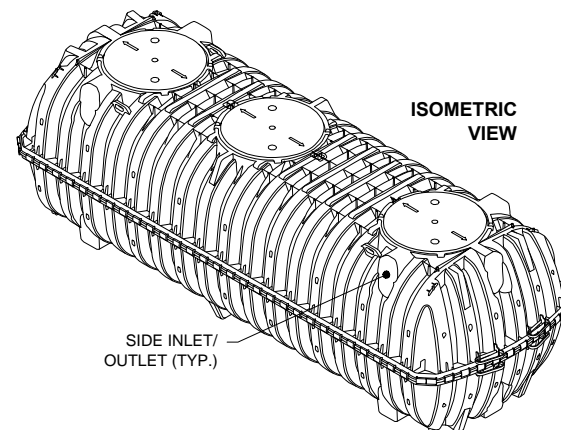
END VIEW



SECTION B - B'  
BAFFLE DETAIL

NOTES:

- ALL DRAWING DIMENSIONS IN INCHES [MILLIMETERS] OR AS NOTED.
- EXTERIOR OF ACCESS OPENING LID INCLUDES THE FOLLOWING WARNING IN ENGLISH, FRENCH & SPANISH: "DANGER DO NOT ENTER: POISON GASES."
- TANK MARKINGS WILL INCLUDE: MANUFACTURER NAME, MODEL NUMBER, LIQUID CAPACITY, DATE OF MANUFACTURE, MAXIMUM BURIAL DEPTH, INLET, AND OUTLET.
- MAXIMUM BURIAL DEPTH IS 48 in [1,219 mm].
- MINIMUM BURIAL DEPTH IS 6 in [152 mm].
- TANK IS FOR NON-TRAFFIC APPLICATIONS.
- AIRSPACE IS 16.9%.
- OUTLET TEE IS COMPATIBLE WITH AN EFFLUENT FILTER.
- LENGTH TO WIDTH RATIO IS 2.8:1 (175.6-INCH LENGTH / 61.7-INCH WIDTH = 2.8).
- FREE VENT AREA BETWEEN TOP OF BAFFLE WALL AND BOTTOM OF TOP BAFFLE SLOT IS 136.5 in<sup>2</sup>.
- BAFFLE WALL THICKNESS IS 0.31 in [8 mm].



ISOMETRIC  
VIEW



INFILTRATOR SYSTEMS INC.  
4 Business Park Rd. Old Saybrook, CT 06475  
(800) 221-4436

IM-1530  
2-Compartment Septic Tank Configuration

Drawn by: JLB	Date: 10/09/2013
Scale: NOT TO SCALE	Checked by: DJL
	Sheet: 1 of 1