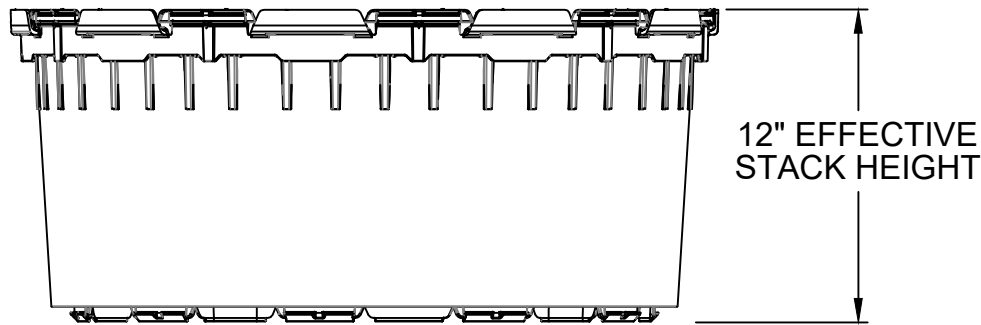
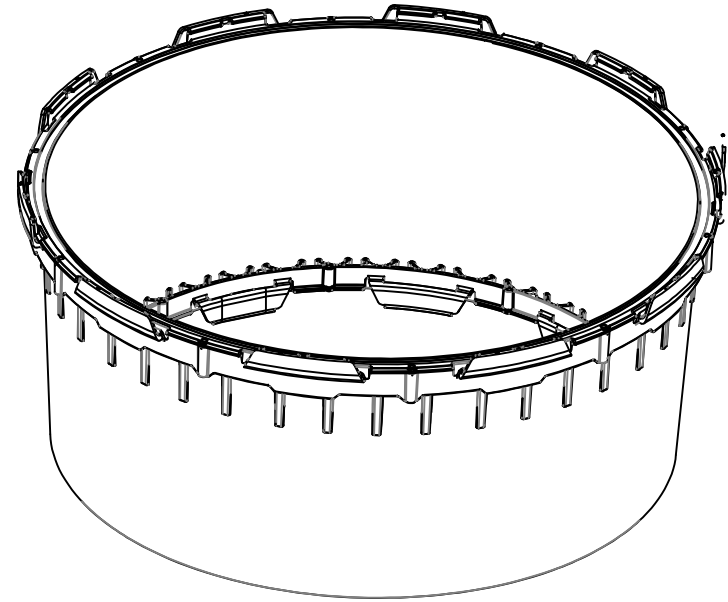
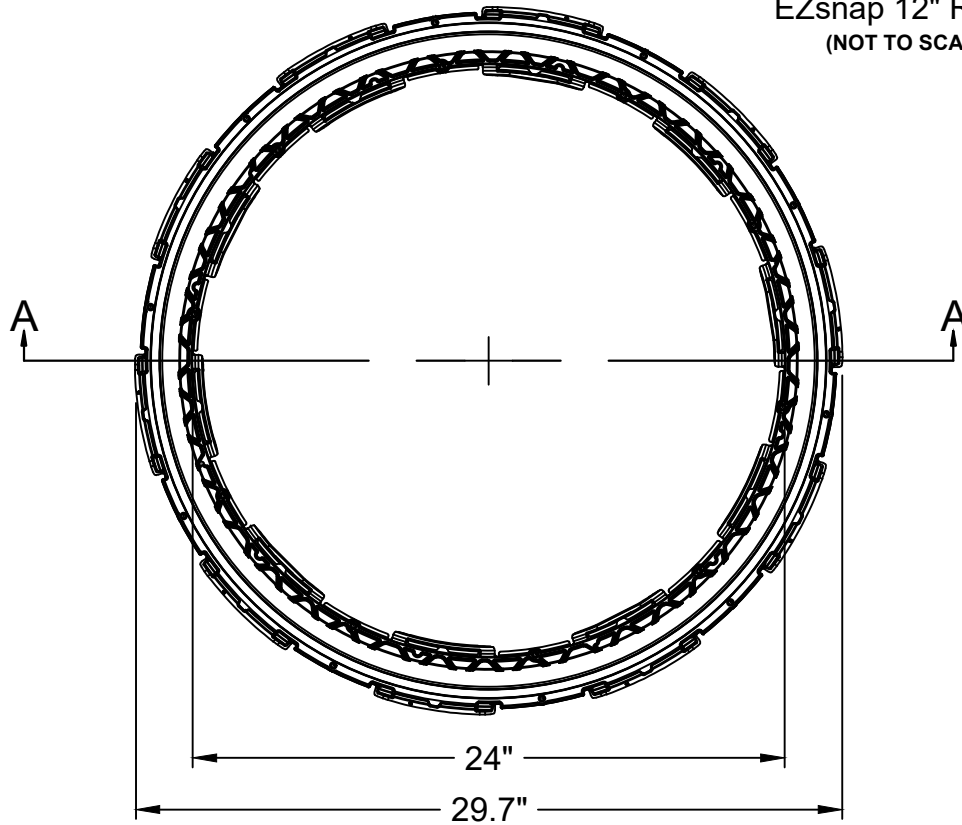


Q:\Technical Resources New\02--ISL_PRODUCTS\15 - RISERS\EZsnap\Archived\EZsnap Product Specifications

INFILTRATOR WATER TECHNOLOGIES

EZsnap 12" RISER

(NOT TO SCALE)



SECTION A-A



INFILTRATOR WATER TECHNOLOGIES
4 Business Park Rd. Old Saybrook, CT 06475
(800) 221-4436

12" EZsnap RISER
SNAPRIS - 2412

Drawn by: EMB	Date: 01/25/2017
Scale: NOT TO SCALE	Checked by: DFH Sheet: 1 of 1