

Installation Instructions for Quick4™ Pressure Distribution Systems



INFILTRATOR®
water technologies

Before You Begin

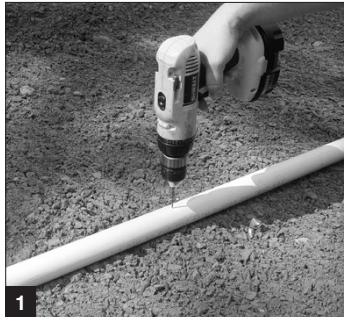
Quick4™ Standard and Quick4™ Equalizer® 36 chambers can only be installed according to state and/or local regulations. Contact your local regulator for specific requirements. Soil and site conditions must be approved prior to installation. Conduct a thorough site evaluation to determine proper sizing and siting of the system before installation.

These guidelines must be followed during installation:

- Avoid direct contact with chambers when using construction equipment. Chambers require a 12-inch minimum of compacted cover to support a wheel load rating of 16,000 lbs/axle or equivalent to an H-10 AASHTO load rating.
- Only drive across the trenches when necessary. Never drive wheeled machinery over chambers.
- Avoid stones larger than 3 inches in diameter in backfill. Remove stones this size or larger that are in contact with chambers.

Installing the Chambers and End Caps

1. To allow pressure laterals to drain after each dose, drill a hole in the bottom of the pipe at the end of the pressure line. Place the snap-off splash plate or a paving block at the bottom of the trench to protect the infiltrative surface from erosion.



2. With a hole saw, drill out the appropriate diameter hole to accommodate the pressure lateral pipe.



3. Insert the pressure lateral pipe into the end cap's drilled opening and slide it into the manifold pipe. Glue the pressure lateral pipe to the manifold pipe.

4. With the pressure lateral pipe through the end cap, place the inlet end of the first chamber over the back edge of the end cap.



Note: Health Departments may require a wet-run pressure check be done prior to chamber installation when the pipe is laying on the ground. Check with your local Health Department for the proper procedure.

5. (Method A) Secure the pressure lateral pipe to the top of the first chamber with a plastic pipe strap at the outlet end of the unit. Slide the strap up through a slot in the chamber

top, down through the other slot, and cinch the two ends around the pipe.

6. (Method B) With the holes pointing up, stabilize the pressure lateral pipe on the ground to prevent it from moving.



7. Lift and place the next chamber onto the previous one at a 45-degree angle. Line up the chamber end between the connector hook and locking pin at the top of the first chamber. Lower it to the ground to engage the interlocks.

8. (Method A) Secure the lateral pipe to the top of the next chamber once in place. Follow the same method in Step 5.

9. Continue interlocking chambers and securing the pipe until the trench is completed.

10. Before attaching the final end cap, remove the tongue of the connector hook on the last chamber with a pair of pliers.



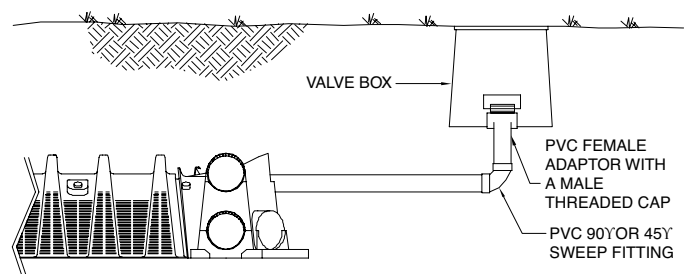
11. Insert the pressure lateral pipe through the hole in the final end cap and slide the end cap towards the last chamber. Lift the end cap over the modified connector hook and push straight down to secure it to the chamber.

Note: If cleanout extensions are required, use a hole saw to cut a hole in the end cap at the proper elevation so that the lateral pipe can extend. For clean-out access, a 90-degree elbow that extends to the soil's surface can be attached to the lateral pipe.

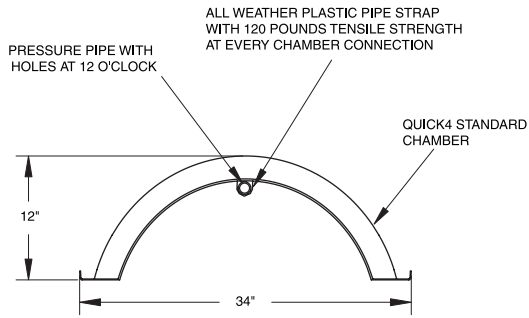


12. If installing multiple rows of chambers, follow Steps 1-9 to lay the next row of chambers parallel to the first. Keep a minimum separation distance between each row of chambers as required by local code.

ACCESS FOR DRAINFIELD MAINTENANCE AND FLUSHING

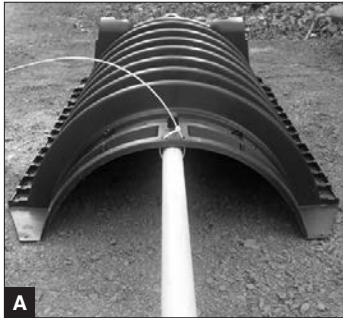


**METHOD A
TOP PLACEMENT**

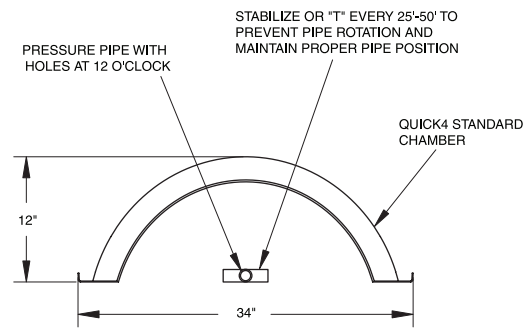


Advantages of Method A

- Pipe and orifice placed closer to the chamber dome offer improved distribution.
- Pipe positioned at the top of the chamber places it well above effluent.
- Plastic pipe hanger easily secures pipe in place.

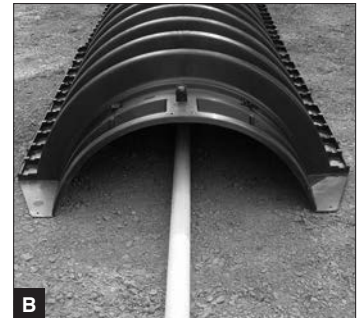


**METHOD B
BOTTOM PLACEMENT**



Advantages of Method B

- Pipe resting on the trench bottom allows easy installation and maintenance.
- Stabilizing "T's" keep pipe level.
- System promotes efficient pressure checks.
- Pipe resting on the trench bottom allows easier inspection if monitoring ports are installed.



Infiltrator Water Technologies Limited Warranty

(a) The structural integrity of each chamber, end cap, wedge and other accessory manufactured by Infiltrator ("Units"), when installed and operated in a leachfield of an onsite septic system in accordance with Infiltrator's instructions, is warranted to the original purchaser ("Holder") against defective materials and workmanship for one year from the date that the septic permit is issued for the septic system containing the Units; provided, however, that if a septic permit is not required by applicable law, the warranty period will begin upon the date that installation of the septic system commences. To exercise its warranty rights, Holder must notify Infiltrator in writing at its Corporate Headquarters in Old Saybrook, Connecticut within fifteen (15) days of the alleged defect. Infiltrator will supply replacement Units for Units determined by Infiltrator to be covered by this Limited Warranty. Infiltrator's liability specifically excludes the cost of removal and/or installation of the Units.

(b) THE LIMITED WARRANTY AND REMEDIES IN SUBPARAGRAPH (a) ARE EXCLUSIVE. THERE ARE NO OTHER WARRANTIES WITH RESPECT TO THE UNITS, INCLUDING NO IMPLIED WARRANTIES OF MERCHANTABILITY OR FITNESS FOR A PARTICULAR PURPOSE.

(c) This Limited Warranty shall be void if any part of the chamber system is manufactured by anyone other than Infiltrator. The Limited Warranty does not extend to incidental, consequential, special or indirect damages. Infiltrator shall not be liable for penalties or liquidated damages, including loss of production and profits, labor and materials, overhead costs, or other losses or expenses incurred by the Holder or any third party. Specifically excluded from Limited Warranty coverage are damage to the Units due to ordinary wear and tear, alteration, accident, misuse, abuse or neglect of the Units; the Units being subjected to vehicle traffic or other conditions which are not permitted by the installation instructions; failure to maintain the minimum ground covers set forth in the installation instructions; the placement of improper materials into the system containing the Units; failure of the Units or the septic system due to improper siting or improper sizing, excessive water usage, improper grease disposal, or improper operation; or any other event not caused by Infiltrator. This Limited Warranty shall be void if the Holder fails to comply with all of the terms set forth in this Limited Warranty.

Further, in no event shall Infiltrator be responsible for any loss or damage to the Holder, the Units, or any third party resulting from installation or shipment, or from any product liability claims of Holder or any third party. For this Limited Warranty to apply, the Units must be installed in accordance with all site conditions required by State and local codes; all other applicable laws; and Infiltrator's installation instructions.

(d) No representative of Infiltrator has the authority to change or extend this Limited Warranty. No warranty applies to any party other than the original Holder.

The above represents the standard Limited Warranty offered by Infiltrator. A limited number of States and counties have different warranty requirements. Any purchaser of Units should contact Infiltrator's Corporate Headquarters in Old Saybrook, Connecticut, prior to such purchase, to obtain a copy of the applicable warranty, and should carefully read that warranty prior to the purchase of Units.



INFILTRATOR®
water technologies

4 Business Park Road • P.O. Box 768
Old Saybrook, CT 06475
860-577-7000 • FAX 860-577-7001

1-800-221-4436

Distributed By: