

The New Mexico Environment Department, Liquid Waste Program has approved EZflow 1204V-GEO with design infiltrative area of 7.0 sf/lf, EZflow 1203V-GEO with design infiltrative area of 6.4 sf/lf, and EZflow 1203H-GEO with design infiltrative area of 5.3 sf/lf. All other relevant design parameters contained in 20.7.3 NMAC must be followed, as well as adherence to the manufacturer's recommendations for installation.

Materials & Equipment Needed

- EZflow Bundles
- EZflow Internal Pipe Couplers
- Endcaps if Needed
- Backhoe
- Laser, Transit or Level
- Shovel and Rake

Installation Instructions for EZflow Systems in New Mexico



Installation Instructions

The instructions for EZflow products are given below. This product must be installed in accordance with the appropriate state regulations and codes.

In cases where linear footage required is not in multiples of 10, the installer may (a) reduce the product to needed length and refasten netting to the pipe or, (b) use an additional 5 or 10 feet of product to exceed the minimum required trench length.

1. After the local health department has issued a permit, stake or mark the location of the trenches and lines. Then, set the tank, invert pipe, headerline/distribution box, and trench elevations.
2. The required length of drainfield shall be determined by dividing the required square footage by the state approved product rating.
3. When installed in a trench, the trench should be dug to a minimum width of 12 inches up to a maximum of 36 inches. If trench width exceeds 12 inches, stakes shall be used to maintain the vertical configuration.
4. Remove the plastic wrap from the EZflow bundles prior to placing them in the trench(es). Remove any wrap from the trench before the system is covered.
5. The bottom of each leaching trench shall have a minimum of a level grade to a maximum of 3 in./100 ft. per NMAC 20.7.3.701-J.
6. Before placing EZflow in a prepared excavation, all smeared or compacted surfaces shall be removed from trenches by raking to a depth of one inch and the loose material removed per NMAC 20.7.3.701-D.

7. The top of each GEO bundle contains a pre-manufactured filter fabric between the netting and aggregate to prevent soil intrusion. The installer shall ensure that the fabric is on top.

8. The cylinders containing 4-inch-diameter perforated pipe are joined end-to-end with an internal coupling available from EZflow. The same internal coupler is used to start the trench, as it will slide inside the 4-inch-diameter PVC pipe from the D-box or header.

9. Trench spacing shall be per NMAC 20.7.3.701-K.

10. The trench top shall be shaped to ensure surface runoff. Minimum cover over the EZflow bundles shall be 12 inches.

11. EZflow bundles are flexible and can fit in curved trenches, as needed, to avoid trees or other obstacles.

12. Soil material excavated from trenches, if suitable per code, should be used in backfilling and should be left mounded over the trenches until initial settling has taken place. Soil within 6" of the EZflow bundles shall be loosely placed and not compacted.

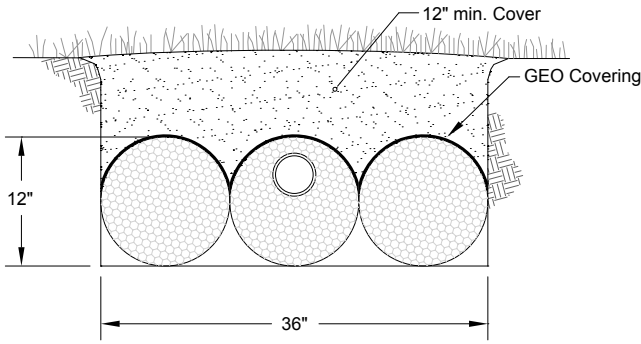
Inspection

Before covering the system, it shall be inspected by the state or local regulatory agency, per NMAC 20.7.3.203B. The area of the disposal field shall not be used for vehicular traffic, parking, or underground utilities (i.e. water lines). Dozers, trucks, and other heavy vehicles shall not be allowed to run over the septic tank, drainfield or other parts of the system.

Sod, hay, seed, or approved alternative vegetative cover should be utilized over the drainfield area to control erosion, as may be required by permit or local regulation.

Approved EZflow Products

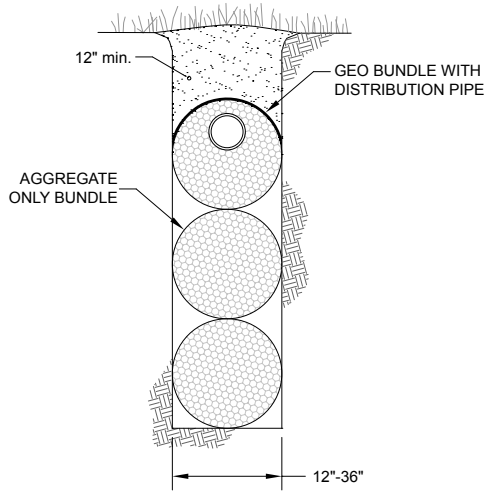
1203H-GEO



SIZING EXAMPLE: 900 sq ft. required.
 $900 \text{ sf} \div 5.3 \text{ sf per ft} = 170 \text{ lf required}$

PROPERTIES AND SPECIFICATIONS			
Approved Sizing	5.3 sf/ft	Trench Width	36"
Nominal Invert Height	6"	Min. Trench Depth	24"
Minimum Spacing Between Trenches	4 ft	Product Height	12"

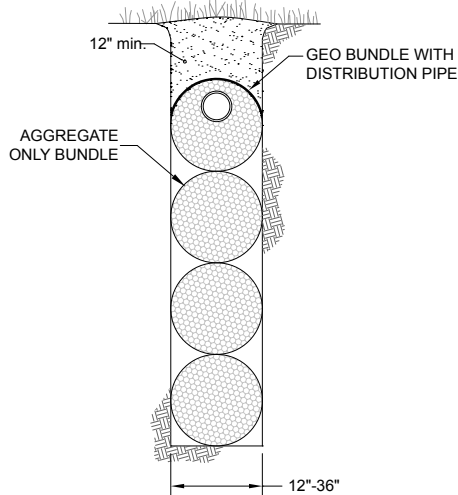
1203V-GEO



SIZING EXAMPLE: 900 sq ft. required.
 $900 \text{ sf} \div 6.4 \text{ sf per ft} = 141 \text{ lf required}$

PROPERTIES AND SPECIFICATIONS			
Approved Sizing	6.4 sf/ft	Trench Width	12"-36"
Nominal Invert Height	30"	Min. Trench Depth	48"
Minimum Spacing Between Trenches	8 ft	Product Height	36"

1204V-GEO



SIZING EXAMPLE: 900 sq ft. required.
 $900 \text{ sf} \div 7.0 \text{ sf per ft} = 129 \text{ lf required}$

PROPERTIES AND SPECIFICATIONS			
Approved Sizing	7.0 sf/ft	Trench Width	12"-36"
Nominal Invert Height	42"	Min. Trench Depth	60"
Minimum Spacing Between Trenches	10 ft	Product Height	48"

Additional Approved EZflow Non-Geo Configurations

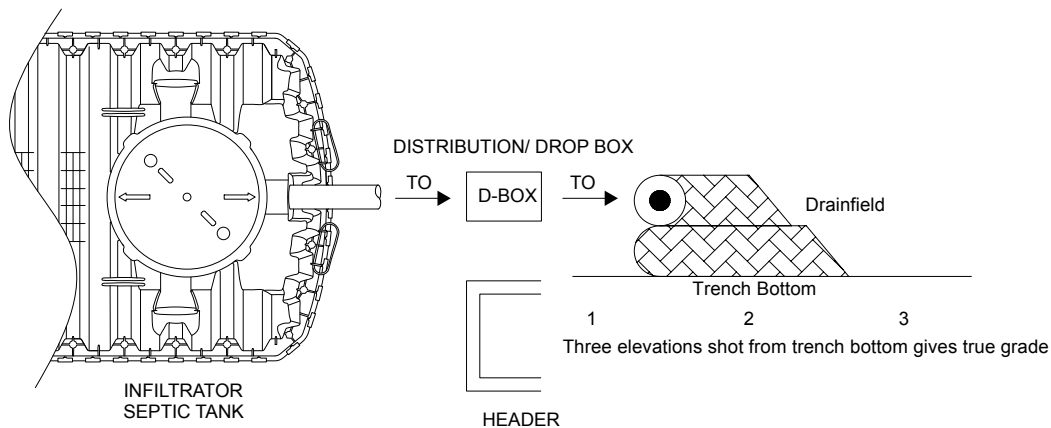
Based on the additional product evaluation information and previous WTAC recommendation, the following revised sizing credits shall also apply:

Configuration	Approved Sizing (square feet per linear foot)	Minimum Spacing Between Trenches (feet)
(6) 10-inch, 2 vertical stacks (1006V)	6.2	5
(2) 12-inch, vertical (1202V)	4.4	6
(6) 10-inch, 3 vertical stacks (1006H)	5.7	4
(6) 12-inch, 3 vertical stacks (1206H)	7.0	4
(3) 10-inch, triangular configurations (1003T)	4.5	5
(3) 12-inch, triangular configurations (1203T)	5.5	6
(3) 12-inch, 3 vertical stacks (1203V)	6.4	8
(4) 12-inch, 4 vertical stacks (1204V)	7.0	10
(3) 12-inch, 3 horizontal configurations (1203H)	5.3	4

EZflow Inspection

As required by state or local regulations, be sure to obtain proper installation inspection from the state or local regulatory agency prior to covering the system per NMAC 20.7.3.203B.

Septic tank, header pipe or D-box, trench bottom, grade, depth, and cover shall be in accordance with state rules and regulations, unless otherwise specified.



4 Business Park Road P.O. Box 768
Old Saybrook, CT 06475
860-577-7000 • Fax 860-577-7001
1-800-221-4436
www.infiltratorwater.com

The top of configurations with the suffix "GEO" contain a filter fabric pre-manufactured in between the netting and aggregate. The fabric is inserted to prevent soil intrusion. The installer shall make sure that the fabric is on top and is in contact with the fabric contained in the adjacent cylinder before backfilling. If not utilizing a **GEO** product, installer should use untreated building paper. Other barrier material may be used as approved by NMED and the manufacturer.

ISO 9001 Registered.

U.S. Patents: 4,759,661; 5,017,041; 5,156,488; 5,336,017; 5,401,116; 5,401,459; 5,511,903; 5,716,163; 5,588,778; 5,839,844 Canadian Patents: 1,329,959; 2,004,564 Other patents pending. Infiltrator, Equalizer, Quick4, and SideWinder are registered trademarks of Infiltrator Water Technologies. Infiltrator is a registered trademark in France. Infiltrator Water Technologies is a registered trademark in Mexico. Contour, MicroLeaching, PolyTuff, ChamberSpacer, MultiPort, PosiLock, QuickCut, QuickPlay, SnapLock and StraightLock are trademarks of Infiltrator Water Technologies. PolyLok is a trademark of PolyLok, Inc. TUF-TITE is a registered trademark of TUF-TITE, INC. Ultra-Rib is a trademark of IPEX Inc.

© 2017 Infiltrator Water Technologies, LLC. All rights reserved. Printed in U.S.A.

EZ28 0917

Contact Infiltrator's Technical Services Department for assistance at 1-800-221-4436