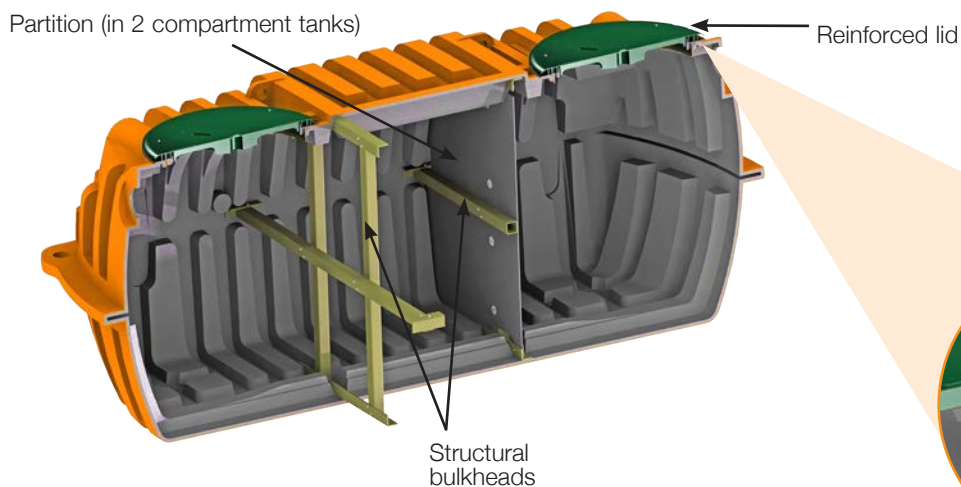




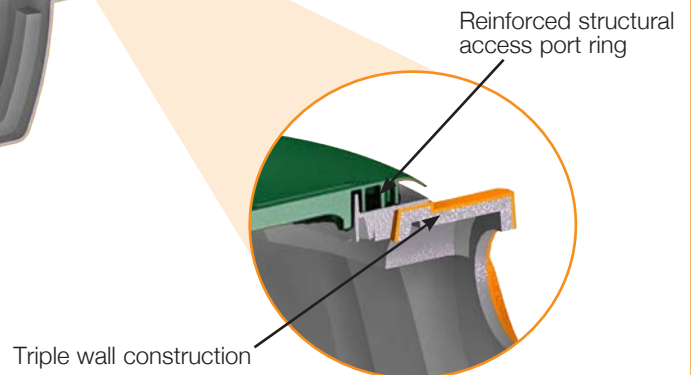
Infiltrator Water Technologies TW-Series Tanks provide superior strength for long-term, water-tight performance. Innovative features not found in any other septic tank include: thick, triple wall design manufactured with proprietary state-of-the-art rotomolding technology; permanent, factory-installed structural bulkheads; and reinforced access ports. No special installation, backfill or water filling procedures are required.

The TW-Series Tanks are available in four different sizes.

TANK CUTAWAY CROSS SECTION VIEW



LID CUTAWAY CROSS SECTION VIEW



TW-Series Tanks Offer These Unique Benefits:

- Triple wall design provides a thick composite wall structure that acts like a structural I-beam
- Manufactured in the U.S.A. with 65% recycled material
- Factory installed bulkheads offer superior structural stability under heavy loads
- Reinforced access ports do not distort upon backfilling or during pump-outs
- Can be installed without special water filling procedures
- Can be pumped dry during pump-outs (no need to refill with water)
- Resistant to flotation in high water table conditions
- Can be installed with 6 to 48 inches of soil cover (regulatory codes may establish maximum burial depth, ie. FL at 18" and NC at 36.")
- Available as single or dual compartment tanks
- Suitable for use as septic tanks and pump tanks
- Flat bottoms allow for easy storage and installation

TW-SERIES TANKS (not to scale)

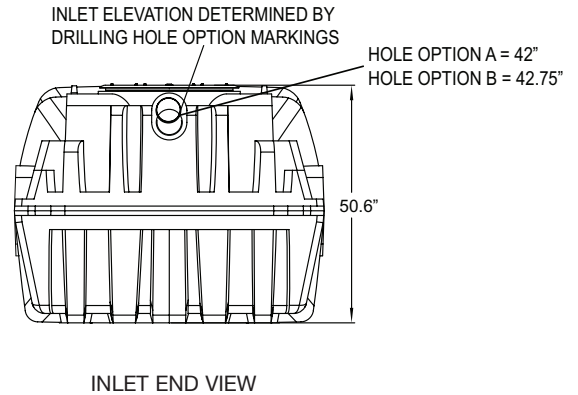
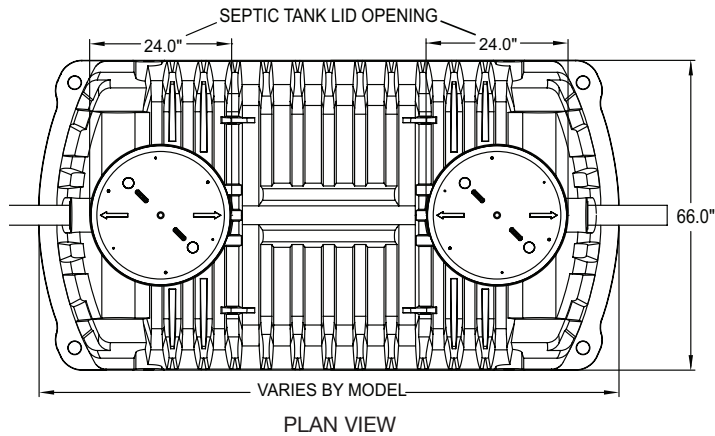


Table 1A: TW-Series Pump Tank Nominal Specifications

Tank Model	Total Volume	Size (Dia x H)
TW-300	313 gal. [1,185 L]	50 in. x 50 in. [1270 mm x 1270 mm]
TW-500	504 gal. [1,908 L]	62.5 in. x 51 in. [1588 mm x 51 in. [1295 mm]



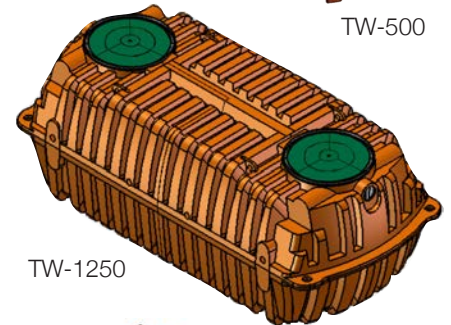
TW-300



TW-500

Table 1B: TW-Series Septic Tank Nominal Specifications

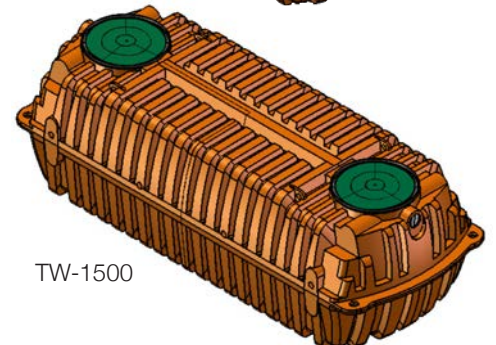
Tank Model	Total Volume	Size L x W x H
TW-1250	1,448 gal. [5,481 L]	143.7 in. x 66.0 in. x 50.6 in. [3650 mm] x [1676 mm] x [1285 mm]
TW-1500	1,762 gal. [6,669 L]	170.4 in. x 66.0 in. x 50.6 in. [4,328 mm] x [1,676 mm] x [1,285 mm]



TW-1250

Table 2: Working Volume Based Upon 39.75 inch Liquid Level

Tank Model	Working Volume*	Liquid Level*	Freeboard*
TW-1250	1,254 gal. [4,745 L]	39.75 in. [1,010 mm]	10.1 in. [256 mm]
TW-1500	1,523 gal. [5,765 L]	39.75 in. [1,010 mm]	10.1 in. [256 mm]



TW-1500

Table 3: Working Volume Based Upon 40 inch Liquid Level (Florida Specification)

Tank Model	Working Volume*	Liquid Level*	Freeboard*
TW-1250	1,261 gal. [4,772 L]	40 in. [1,016 mm]	9.8 in. [249 mm]
TW-1500	1,532 gal. [5,798 L]	40 in. [1,016 mm]	9.8 in. [249 mm]

*Working Volume, Liquid Level and Freeboard vary based on elevation of outlet which varies by code.



4 Business Park Road
P.O. Box 768
Old Saybrook, CT 06475
860-577-7000 • Fax 860-577-7001
1-800-221-4436
www.infiltratorwater.com

U.S. Patents: 4,759,661; 5,017,041; 5,156,488; 5,336,017; 5,401,116; 5,401,459; 5,511,903; 5,716,163; 5,588,778; 5,839,844 Canadian Patents: 1,329,959; 2,004,564 Other patents pending. Infiltrator, Equalizer, Quick4, and SideWinder are registered trademarks of Infiltrator Water Technologies. Infiltrator is a registered trademark in France. Infiltrator Water Technologies is a registered trademark in Mexico. Contour, MicroLeaching, PolyTuff, ChamberSpacer, MultiPort, PosiLock, QuickCut, QuickPlay, SnapLock and StraightLock are trademarks of Infiltrator Water Technologies. PolyLok is a trademark of PolyLok, Inc. TUF-TITE is a registered trademark of TUF-TITE, INC. Ultra-Rib is a trademark of IPEX Inc.

© 2013 Infiltrator Water Technologies, LLC. All rights reserved. Printed in U.S.A.

TW01 0613ISI

Contact Infiltrator Water Technologies' Technical Services Department for assistance at 1-800-221-4436