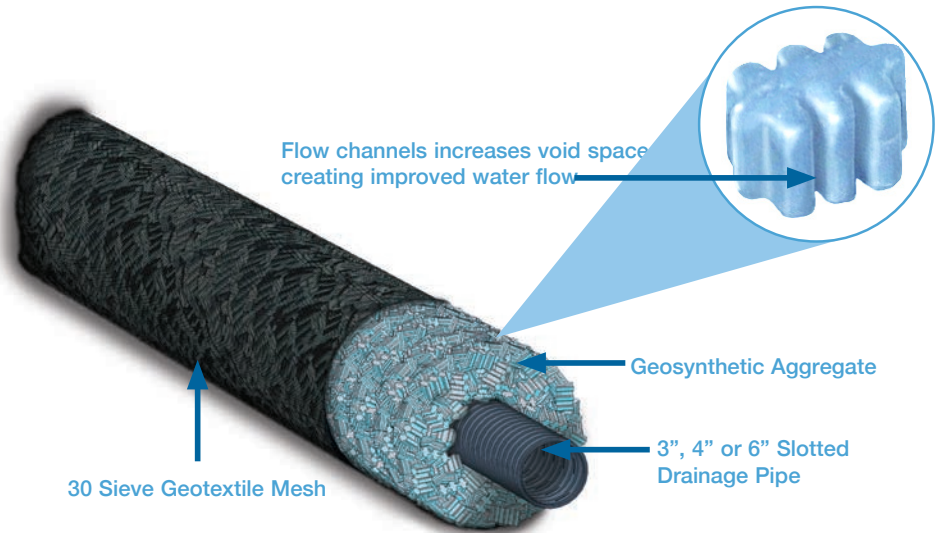


EZflow BASEMENT DRAINAGE by



Applications:

- Basement drainage

Features and Benefits:

Ease of installation - available in convenient 10-foot lengths that are easily transported and installed by a single worker, dramatically reducing labor costs compared to stone

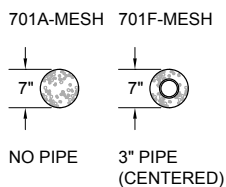
Performance - engineered flow channels in the aggregate create greater flow rates and storage compared to gravel

Flexibility - aggregate pipe combination and aggregate only bundles can easily bend around corners and obstacles, easily conforming to project needs

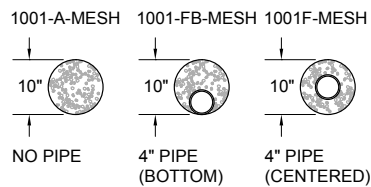
Versatility - available in 7", 10", and 15" diameters each with or without a slotted drainage pipe; Multiple units can be combined to maximize configuration options

Product Sizes:

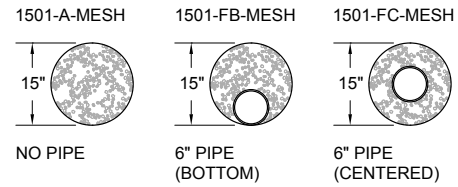
7-inch Bundles



10-inch Bundles

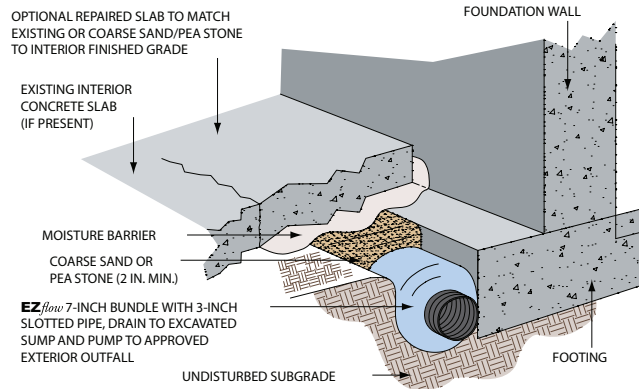


15-inch Bundles

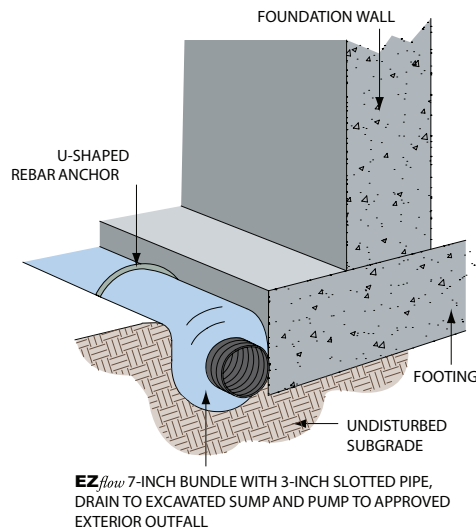


EZflow BASEMENT DRAINAGE by

EZflow BASEMENT DRAINAGE



EZflow CRAWLSPACE DRAINAGE



INFILTRATOR WATER TECHNOLOGIES STANDARD LIMITED WARRANTY

(a) The structural integrity of each EZflow by Infiltrator expanded polystyrene drainage system and other accessories manufactured by EZflow by Infiltrator ("Units"), when installed and operated in a drainage system in accordance with Infiltrator's instructions, is warranted to the original purchaser ("Holder") against defective materials and workmanship for one year from the date that the septic permit is issued for the septic system containing the Units; provided, however, that if a permit for a specified system is not required by applicable law, the warranty period will begin upon the date that installation of the drainage system commences. To exercise its warranty rights, Holder must notify Infiltrator in writing at its Corporate Headquarters in Old Saybrook, Connecticut within fifteen (15) days of the alleged defect. Infiltrator will supply replacement Units for Units determined by EZflow by Infiltrator to be covered by this Limited Warranty. EZflow by Infiltrator's liability specifically excludes the cost of removal and/or installation of the Units.

(b) THE LIMITED WARRANTY AND REMEDIES IN SUBPARAGRAPH (a) ARE EXCLUSIVE. THERE ARE NO OTHER WARRANTIES WITH RESPECT TO THE UNITS, INCLUDING NO IMPLIED WARRANTIES OF MERCHANTABILITY OR FITNESS FOR A PARTICULAR PURPOSE

(c) This Limited Warranty shall be void if any part of the EZflow system is manufactured by anyone other than EZflow by Infiltrator. The Limited Warranty does not extend to incidental, consequential, special or indirect damages. Infiltrator shall not be liable for penalties or liquidated damages, including loss of production and profits, labor and materials, overhead costs, or other losses or expenses incurred by the Holder or any third party. Specifically excluded from Limited Warranty coverage are damage to the Units due to ordinary wear and tear, alteration, accident, misuse, abuse or neglect of the Units; the Units being subjected to vehicle traffic or other conditions which are not permitted by the installation instructions; failure to maintain the minimum ground covers set forth in the installation instructions; the placement of improper materials into the system containing the Units; failure of the Units or the septic system due to improper siting or improper sizing, excessive water usage, improper grease disposal, or improper operation; or any other event not caused by Infiltrator. This Limited Warranty shall be void if the Holder fails to comply with all of the terms set forth in this Limited Warranty. Further, in no event shall Infiltrator be responsible for any loss or damage to the Holder, the Units, or any third party resulting from installation or shipment, or from any product liability claims of Holder or any third party. For this Limited Warranty to apply, the Units must be installed in accordance with all site conditions required by state and local codes; all other applicable laws; and Infiltrator's installation instructions.

(d) No representative of Infiltrator has the authority to change or extend this Limited Warranty. No warranty applies to any party other than the original Holder.



INFILTRATOR®
water technologies

4 Business Park Road • P.O. Box 768
Old Saybrook, CT 06475
860.577.7000 • FAX 860.577.7001

800.689.7759
www.ezflowlp.com
www.infiltratorwater.com

For technical assistance, installation instructions or customer service, call Infiltrator Water Technologies at 800.689.7759.